

E-B827-Z4-A^{EVO}

8MP IR Vari-focal Bullet Network Camera



Accessories

PFA135



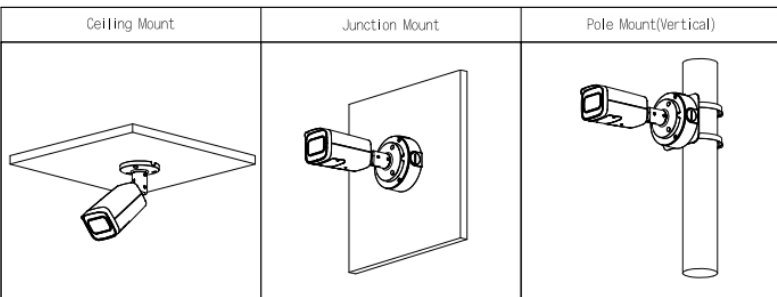
PFA130-E
IP 66



PFA152-E



Installation Method

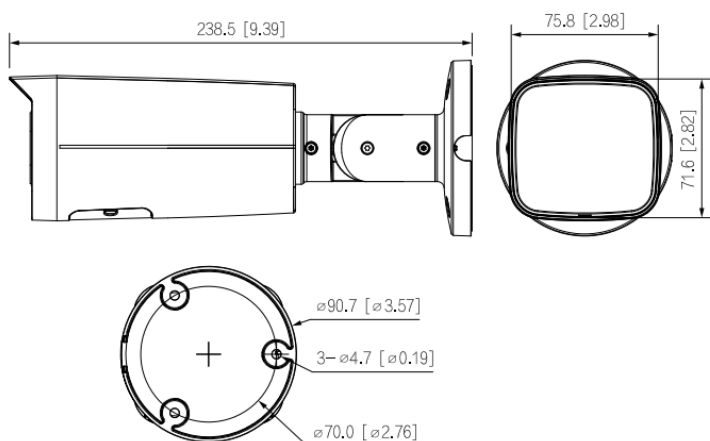


Technical Specification

Camera

| | |
|----------------------------|---|
| Image Sensor | 1/1.8" CMOS |
| Max. Resolution | 3840 (H) × 2160 (V) |
| ROM | 128 MB |
| RAM | 1 GB |
| Scanning System | Progressive |
| Electronic Shutter Speed | Auto/Manual 1/3 s–1/100,000 s |
| Min. Illumination | 0.003 lux@F1.6 (Color, 30 IRE) 0.0005 lux@F1.6 (B/W, 30 IRE) 0 lux (Illuminator on) |
| S/N Ratio | >56 dB |
| Illumination Distance | 60 m |
| Illuminator On/Off Control | Auto / Manual |
| Illuminator Number | 4 (IR LED) |
| Pan/Tilt/Rotation Range | Pan: 0°–360° Tilt: 0°–90° Rotation: 0°–360° |

Dimensions mm (inch)



Technical Specification

Lens

| | | | | | |
|----------------------|--|---------|---------|-----------|----------|
| Lens Type | Motorized vari-focal | | | | |
| Lens Mount | φ14 | | | | |
| Focal Length | 2.7 mm–12 mm | | | | |
| Max. Aperture | F1.6 | | | | |
| Field of View | H: 113°–47° V: 60° –26° D: 133° –53° | | | | |
| Iris Control | Fixed | | | | |
| Close Focus Distance | 1.2 m | | | | |
| DORI Distance | Lens | Detect | Observe | Recognize | Identify |
| | W | 83.4 m | 33.4 m | 16.7 m | 8.3 m |
| | T | 189.6 m | 75.8 m | 37.9 m | 19.0 m |

Intelligence

| | |
|----------------------------|---|
| IVS (Perimeter Protection) | Tripwire, intrusion (support the classification and accurate detection of vehicle and human) |
| AI SSA | Adopt deep learning algorithms to adjust the parameters of the image to suit the conditions |
| Quick Pick | With AI NVR, quickly pick up the human/vehicle targets that users are interested in from SMD events |
| Smart Search | Work together with Smart NVR to perform refine intelligent search, event extraction and merging to event videos |

Video

| | |
|-----------------------|--|
| Video Compression | H.265; H.264; H.264H; H.264B; MJPEG (only supported by the sub stream) |
| Smart Codec | Smart H.265+; Smart H.264+ |
| AI Coding | AI H.265; AI H.264 |
| Video Frame Rate | Main stream: 3840 × 2160 @ (1–25/30) fps Sub stream 1: 704 × 576 @ (1–25 fps)/704 × 480 @ (1–30 fps) Sub stream 2: 1920 × 1080 @ (1–25/30) fps *The values above are the max. frame rates of each stream; for multiple streams, the values will be subjected to the total encoding capacity |
| Stream Capability | 3 streams |
| Resolution | 8M (3840 × 2160); 6M (3072 × 2048); 5M (3072 × 1728/2592 × 1944); 4M (2688 × 1520); 3.6M (2560 × 1440); 3M (2048 × 1536); 3M (2304 × 1296); 1080p (1920 × 1080); 1.3M(1280 × 960); 720p (1280 × 720); D1 (704 × 576/704×480); CIF (352 × 288/352 × 240); VGA (640 × 480) |
| Bit Rate Control | CBR/VBR |
| Video Bit Rate | H.264: 3 kbps–16384 kbps H.265: 3 kbps–16384 kbps |
| Day/Night | Auto(ICR)/Color/B/W |
| BLC | Yes |
| HLC | Yes |
| WDR | 120 dB |
| Scene Self-adaptation | Yes |
| White Balance | Auto; natural; street lamp; outdoor; manual; regional custom |
| Gain Control | Auto |
| Noise Reduction | 3D NR |

| | |
|--------------------------|---|
| Image Stabilization | Electronic Image Stabilization (EIS) |
| Motion Detection | OFF/ON (4 areas, rectangular) |
| Region of Interest (Rol) | Yes (4 areas) |
| Defog | Yes |
| AFSA | Yes |
| Image Rotation | 0°/90°/180°/270° (support 90°/270° with 2688 × 1520 resolution and lower) |
| Mirror | Yes |
| Privacy Masking | 4 areas |

Audio

| | |
|-------------------|------------------------------------|
| Built-in MIC | Yes, built-in Mic |
| Audio Compression | G.711a; G.711Mu; PCM; G.726; G.723 |

Alarm

| | |
|-------------|--|
| Alarm Event | No SD card; SD card full; SD card error; service life warning (only supported by Dahua card); network disconnection; IP conflict; illegal access; motion detection; video tampering; intrusion; tripwire; scene changing; audio detection; voltage detection; defocus detection; external alarm; SMD; safety exception |
|-------------|--|

Network

| | |
|---------------------|---|
| Network Port | RJ-45 (10/100 Base-T) |
| SDK and API | Yes |
| Network Protocol | IPv4; IPv6; HTTP;TCP; UDP; ARP; RTP; RTSP; RTCP; RTMP; SMTP; FTP; SFTP; DHCP; DNS; DDNS; QoS; UPnP; NTP; Multicast; ICMP; IGMP; NFS; PPPoE; SNMP; P2P |
| Interoperability | ONVIF (Profile S/Profile G/Profile T); CGI |
| User/Host | 20 (Total bandwidth: 64 M) |
| Storage | FTP; SFTP; Micro SD card (support max. 256 G); NAS |
| Browser | IE: IE11; Chrome; Firefox |
| Management Software | SmartPSS Lite; DSS; DMSS |
| Mobile Client | iOS; Android |
| Cyber Security | Video encryption; Firmware encryption; Configuration encryption; Digest; WSSE; Account lockout; Security logs; IP/MAC filtering; Generation and importing of X.509 certification; syslog; HTTPS; 802.1x; Trusted boot; Trusted execution; Trusted upgrade |

Certification

| | |
|----------------|--|
| Certifications | CE-LVD: EN62368-1; CE-EMC: Electromagnetic Compatibility Directive 2014/30/EU |
|----------------|--|

Technical Specification

Port

| | |
|--------------|---|
| Audio Input | 1 channel (RCA port) |
| Audio Output | 1 channel (RCA port) |
| Alarm Input | 1 channel in: wet contact, 5 mA 3 V–5 VDC |
| Alarm Output | 1 channel out: wet contact, 300 mA 12 VDC |

Power

| | |
|-------------------|--|
| Power Supply | 12 VDC/PoE (802.3af) |
| Power Consumption | Basic: 3.6 W (12 VDC); 4.4 W (PoE) Max. (WDR + IR intensity + Intelligence): 8.9 W (12 VDC); 10.4 W (PoE) |

Environment

| | |
|-----------------------|------------------|
| Operating Temperature | –30 °C to +60 °C |
| Operating Humidity | ≤95% |
| Storage Temperature | –40 °C to +60 °C |
| Storage Humidity | ≤95% |
| Protection Grade | IP67 |

Structure

| | |
|--------------------|---|
| Casing Material | Metal |
| Product Dimensions | 238.5 mm × 90.7 mm × 90.7 mm (L × W × H) |
| Net Weight | 0,82 kg |
| Gross Weight | 1,09 kg |